

Product Brochure For C831

ER16 Collet Set - 10 Piece

Collet Range $\varnothing 0.5 - \varnothing 10\text{mm}$

"Made in Taiwan"

ORDER CODE:	C831
Type:	ER16
Pieces in Set (No.):	10
Collet Range:	1-0.5, 2-1, 3-2, 4-3 & 5-4, 6-5, 7-6, 8-7 & 9-8, 10-9mm

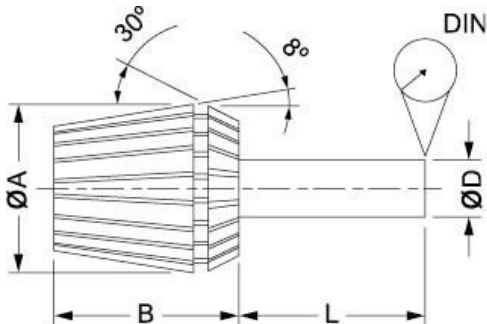


Description

Note: Sets do not include spanner

Features

- Packaged in a cardboard carton



Collet	A	B	L	DIN	RANGE (D)
ER11	11.5	18	6	0.02	0.5-7.0
ER16	17	27	10	0.02	0.5-10.0
ER20	21	31	16	0.02	1.0-13.0
ER25	26	35	25	0.02	1.0-16.0
ER32	33	40	40	0.02	2.0-20.0
ER40	41	46	50	0.03	3.0-26.0