

Product Brochure For C823

## ER16 Collet

Ø3-Ø2mm

"Made in Taiwan"



**On Sale**

**Ex GST**

~~\$22.00~~

**\$18.26**

**Inc GST**

~~\$25.30~~

**\$21.00**

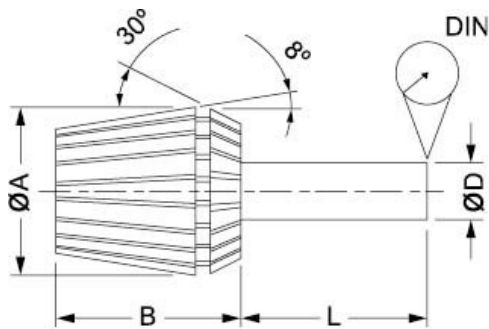
ORDER CODE:	C823
Type:	ER16
Metric Size (mm):	3 - 2
Imperial Size (inch):	~



### Features

- Manufactured to DIN standard
- Collet size covers a range from expanded to compressed
- Collets from 2mm have 1mm of movement
- Collets are listed by their expanded size
- Eg. When ordering an ER32-3 the range is from 3mm expanded to 2mm compressed

Product Brochure For C823



Collet	A	B	L	DIN	RANGE (D)
ER11	11.5	18	6	0.02	0.5-7.0
ER16	17	27	10	0.02	0.5-10.0
ER20	21	31	16	0.02	1.0-13.0
ER25	26	35	25	0.02	1.0-16.0
ER32	33	40	40	0.02	2.0-20.0
ER40	41	46	50	0.03	3.0-26.0

**Installation Guide** - Please see downloads for full details



**Recommended Accessories**

**C836**  
20 x 100 x ER16 Collet Chuck - Straight

**T006**  
ER16 x 20 x 80 Floating Tap Holder

**T203**  
BT40 x ER16-70 Collet Chuck

**C840**  
ER16 Collet Chuck Wrench



## Product Brochure For C823

---

C116  
Collet Nut ER16

