

Product Brochure For C8025

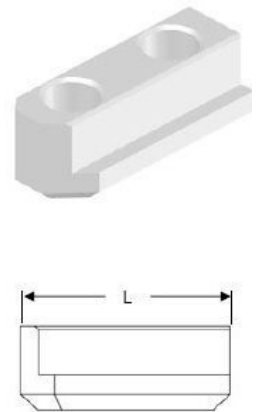
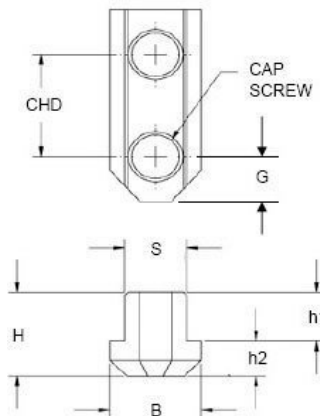
CNC Lathe - Tee Nut Sets Type B

Suit Size 10



ORDER CODE:	C8025
Type:	B-200
Suit Size (mm):	12
H (mm):	27.75
h1 (mm):	16.25
h2 (mm):	11.5
B (mm):	29.5
L (mm):	55.5
G (mm):	12
CHD (mm):	30
S (mm):	21
Cap Screw (mm):	M16

**CHUCK JAWS T-NUTS
HARDENED AND GROUND**



Description

Suits Kitagawa Chucks