

Product Brochure For C8006

CNC Lathe - Tee Nut Sets B-200

Suit Size 10

Back In Stock Soon

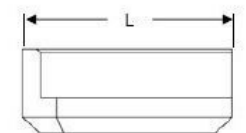
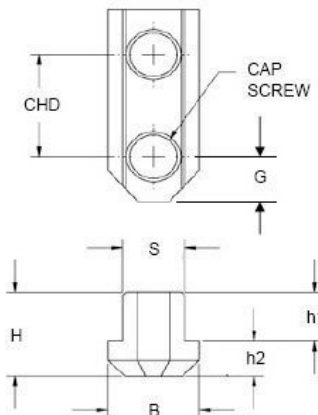
Ex GST
\$184.00

Inc GST
\$211.60



ORDER CODE:	C8006
Type:	B-200
Suit Size (mm):	10
H (mm):	21.5
h1 (mm):	13
h2 (mm):	8.5
B (mm):	22.5
L (mm):	51
G (mm):	11
CHD (mm):	30
S (mm):	16
Cap Screw (mm):	M12

**CHUCK JAWS T-NUTS
HARDENED AND GROUND**



Description

Suits Kitagawa Chucks