

Product Brochure For C7986

## CNC Lathe - Tee Nut Sets B-200

Suit Size 8

**On Sale - Back In Stock Soon**

Ex GST

Inc GST

**\$172.00**

**\$197.80**

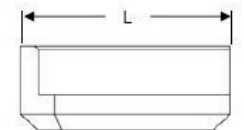
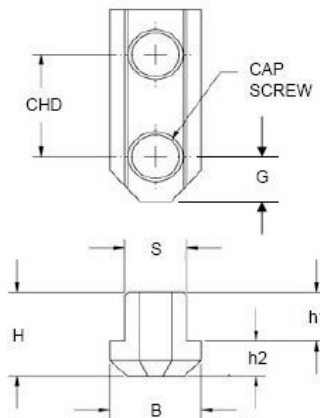
**\$136.52**

**\$157.00**



ORDER CODE:	C7986
Type:	B-200
Suit Size (mm):	8
H (mm):	20.5
h1 (mm):	12
h2 (mm):	8.5
B (mm):	20.5
L (mm):	46.5
G (mm):	10.5
CHD (mm):	25
S (mm):	14
Cap Screw (mm):	M12

**CHUCK JAWS T-NUTS  
HARDENED AND GROUND**



### Description

Suits Kitagawa Chucks