

Product Brochure For C7985

# CNC Lathe - Tee Nuts Sets Type B

Suit Size 8

**On Sale**

Ex GST

Inc GST

~~\$172.00~~

~~\$197.80~~

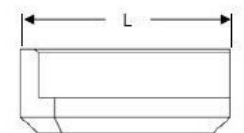
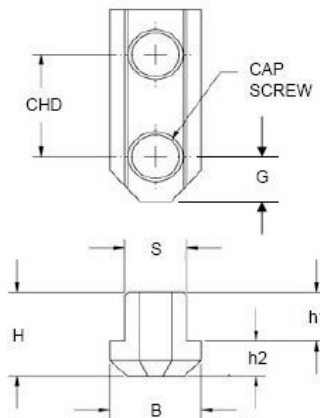
**\$136.52**

**\$157.00**



ORDER CODE:	C7985
Type:	Type B
Suit Size (mm):	8
H (mm):	25.5
h1 (mm):	16
h2 (mm):	9.5
B (mm):	20.5
L (mm):	48
G (mm):	11
CHD (mm):	25
S (mm):	14
Cap Screw (mm):	M12

**CHUCK JAWS T-NUTS  
HARDENED AND GROUND**



**Description**

Suits Kitagawa Chucks