

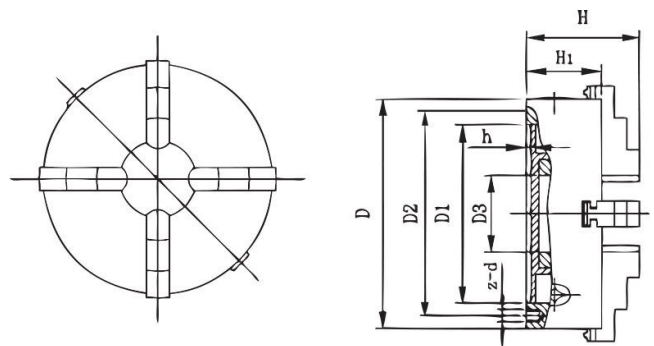
Product Brochure For C725

4 Jaw Self Centring Lathe Chuck - K12-250

Ø250mm



ORDER CODE:	C725
Size (mm):	Ø250
Outside Jaw (mm):	6 - 110
Inside Jaw (mm):	90 - 250
Speed (rpm):	~
D1 (mm):	206
D2 (mm):	226
D3 (bore) (mm):	80
H (mm):	120
H1 (mm):	80
h (mm):	5
z-d (mm):	3-M12
Nett Weight (kg):	27



Description

250mm 4-JAW SELF-CENTRING LATHE CHUCK
Manufactured from cast iron.
Available only in back mount.

Includes

- 1 x set of outside hard jaws
- 1 x set of inside hard jaws
- 1 x key
- 1 x set of mounting screws

Product Brochure For C725

Recommended Accessories

L287
D1-4 Camlock Back Plate



L2875
D1-5 Camlock Back Plate



L289
D1-6 Camlock Back Plate



L286
D1-8 Camlock Back Plate



L2884
D1-11 Camlock Back Plate



C2864
Chuck Key



A358
Sky Hook Lifting Device



A358A
Chuck Hook



Product Brochure For C725

A358C
Bolt Down Adaptor

