

Product Brochure For C724

## 4 Jaw Self Centring Lathe Chuck - K12-200

Ø200mm



**On Sale**

	Ex GST	Inc GST
	<del>\$416.00</del>	<del>\$478.40</del>
	<b>\$332.17</b>	<b>\$382.00</b>

ORDER CODE:	C724
Size (mm):	Ø200
Outside Jaw (mm):	4 - 85
Inside Jaw (mm):	65 - 200
Speed (rpm):	2000
D1 (mm):	165
D2 (mm):	180
D3 (bore) (mm):	65
H (mm):	109
H1 (mm):	75
h (mm):	5
z-d (mm):	3-M10
Nett Weight (kg):	17

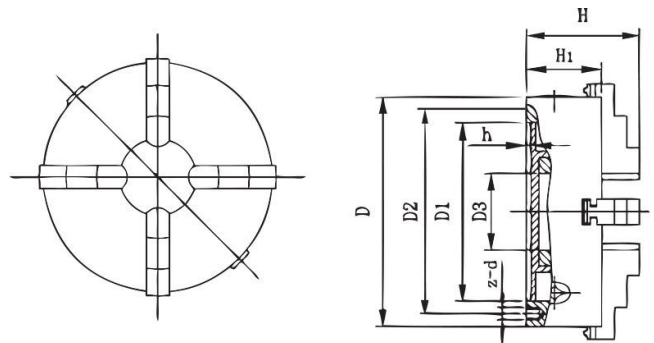


### Description

200mm 4-JAW SELF-CENTRING LATHE CHUCK  
Manufactured from cast iron.  
Available only in back mount.

### Includes

- 1 x set of outside hard jaws
- 1 x set of inside hard jaws
- 1 x key
- 1 x set of mounting screws



Product Brochure For C724

**Specific Features**



Back Plate Mount



Included Accessories



Front View

**Recommended Accessories**

L287

D1-4 Camlock Back Plate

L2875

D1-5 Camlock Back Plate

L289

D1-6 Camlock Back Plate

L286

D1-8 Camlock Back Plate



L2884

D1-11 Camlock Back Plate

C2864

Chuck Key

