

Product Brochure For C1009

## MP-303-EM - Straight Line Toggle Clamp

450kg Capacity

**On Sale**

Ex GST

~~\$40.00~~

**\$33.91**

Inc GST

~~\$46.00~~

**\$39.00**



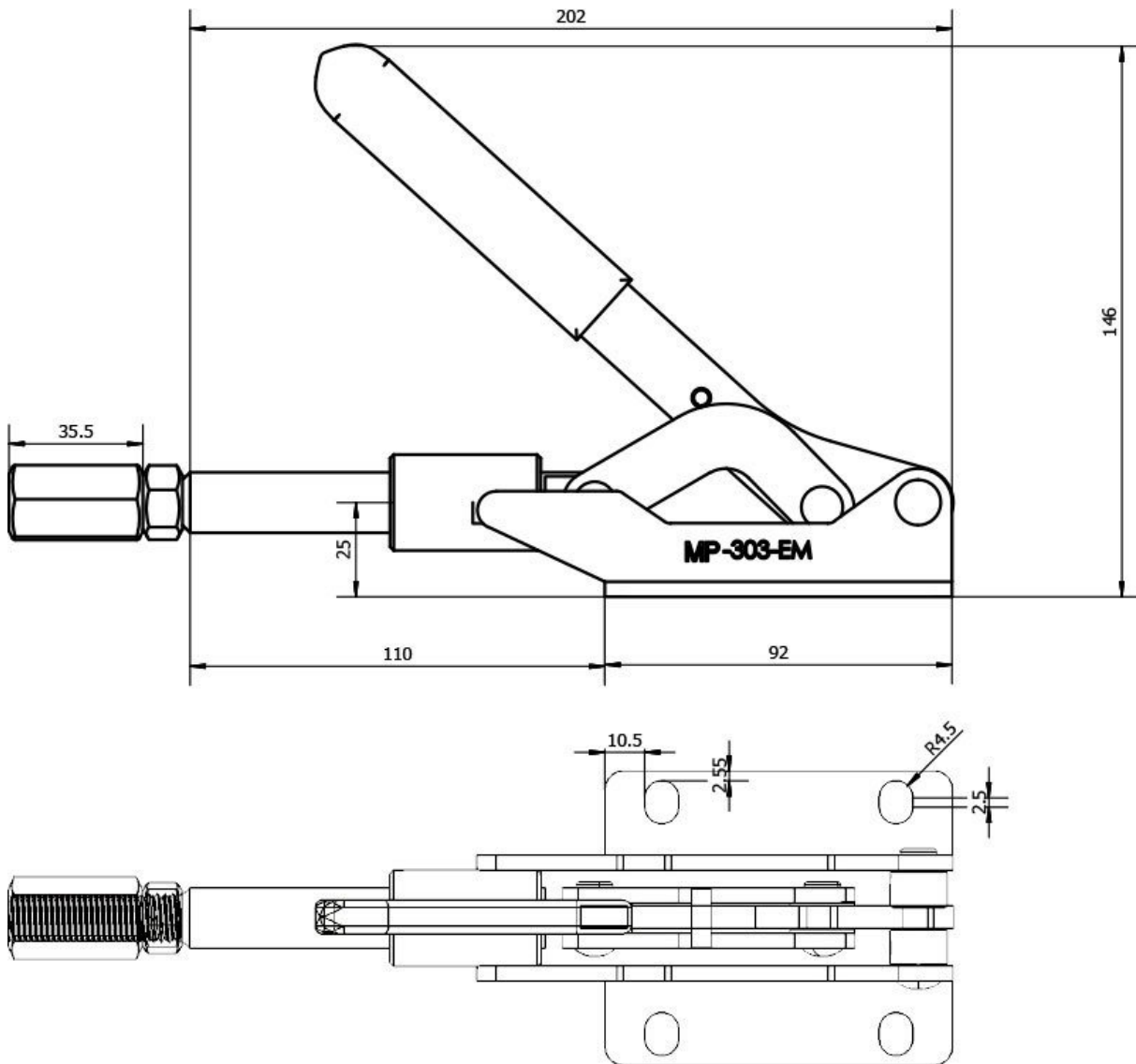
|                                  |                            |
|----------------------------------|----------------------------|
| ORDER CODE:                      | C1009                      |
| MODEL:                           | MP-303-EM                  |
| Type:                            | Straight Line Toggle Clamp |
| Clamping Capacity:               |                            |
| Locking Handle - Pivot Movement: | 190°                       |
| Clamp Bar - Pivot Movement:      | ~                          |
| Plunger Travel (mm):             | 50                         |
| Throat Depth (mm):               | ~                          |
| Opening (mm):                    | ~                          |
| Size:                            | ~                          |
| Quantity Per Pack (No.):         | 1                          |
| Clamping Force (kg):             | 450kg                      |
| Over all Length (mm):            | ~                          |
| Nett Weight (kg):                | 1.0                        |



### Features

- MP-303-EM - Straight Line Toggle Clamp
- Holding capacity: 450kg
- Handle moves: 190°
- Plunger travel: 50mm
- Weight: 1.0kg

Product Brochure For C1009



Product Brochure For C1009

**Specific Features**



Open

**Recommended Accessories**

C1001  
Vertical Toggle Clamp

C100  
Vertical Toggle Clamp

C0999  
Vertical Toggle Clamp

C0998  
Vertical Toggle Clamp



C1003  
Horizontal Toggle Clamp

C1005  
Horizontal Toggle Clamp

C1006  
Horizontal Toggle Clamp

C1008  
Straight Line Toggle Clamp

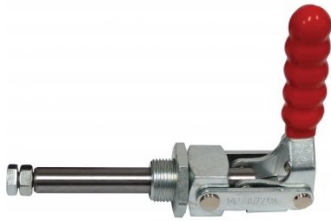


Product Brochure For C1009

---

C1011

Straight Line with Threaded  
Collar Toggle Clamp



C1010

Straight Line Toggle Clamp

