

Product Brochure For C1008

KL-36020 - Straight Line Toggle Clamp

220kg Capacity

On Sale

Ex GST

~~\$28.00~~

\$22.61

Inc GST

~~\$32.20~~

\$26.00



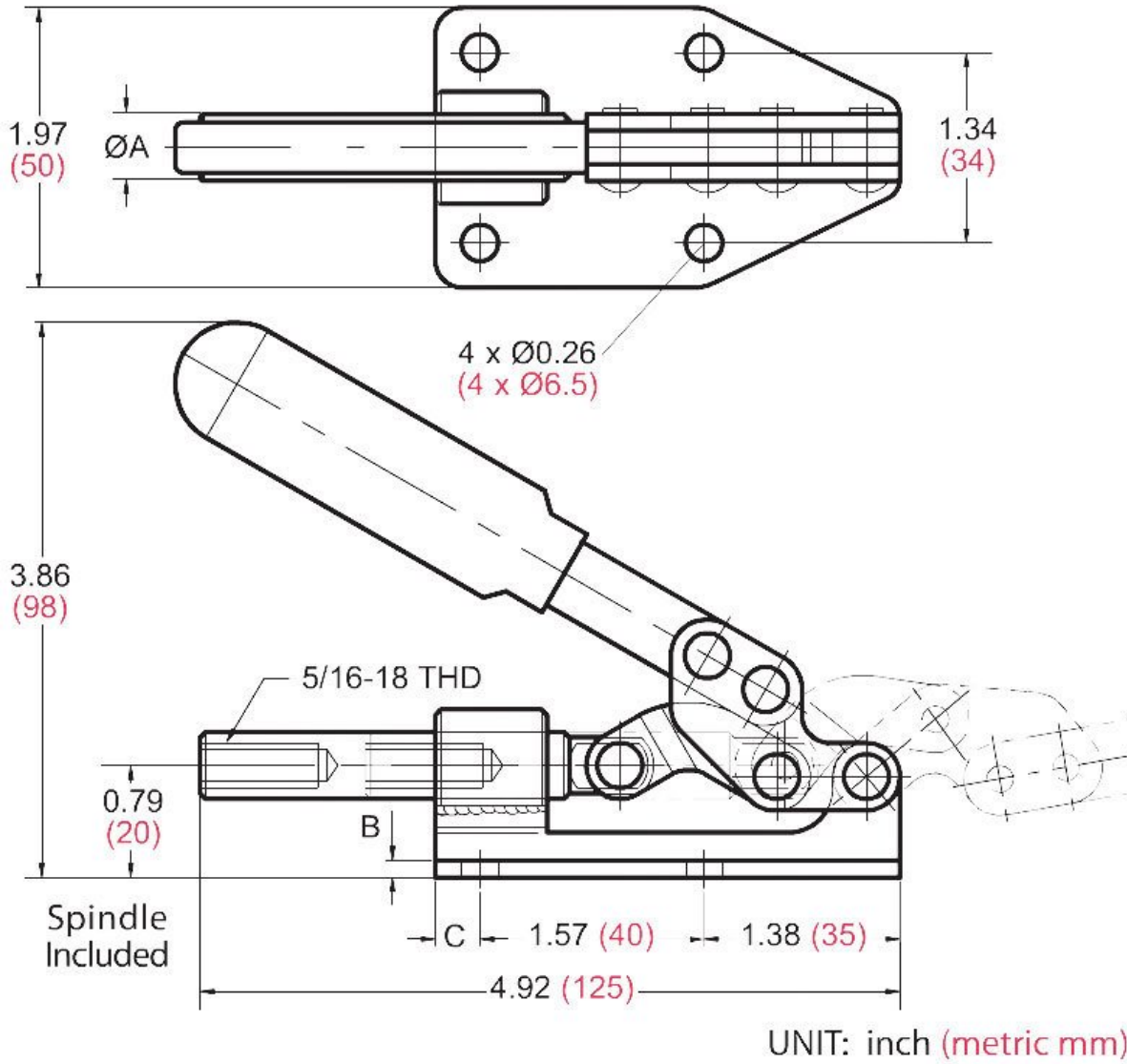
ORDER CODE:	C1008
MODEL:	KL-36020
Type:	Straight Line Toggle Clamp
Clamping Capacity:	
Locking Handle - Pivot Movement:	144.5°
Clamp Bar - Pivot Movement:	~
Plunger Travel (mm):	29.3
Throat Depth (mm):	~
Opening (mm):	~
Size:	~
Quantity Per Pack (No.):	1
Clamping Force (kg):	220kg
Over all Length (mm):	~
Nett Weight (kg):	0.36



Features

- KL-36020 - Straight Line Toggle Clamp
- Holding capacity: 220kg
- Handle moves: 144.5°
- Plunger travel: 29.3mm
- Weight: 360g

Product Brochure For C1008



Product Brochure For C1008

Specific Features



Open Position

Recommended Accessories

C1001
Vertical Toggle Clamp

C100
Vertical Toggle Clamp

C0999
Vertical Toggle Clamp

C0998
Vertical Toggle Clamp



C1003
Horizontal Toggle Clamp

C1005
Horizontal Toggle Clamp

C1006
Horizontal Toggle Clamp

C1011
Straight Line with Threaded
Collar Toggle Clamp



Product Brochure For C1008

C1009

Straight Line Toggle Clamp

C1010

Straight Line Toggle Clamp

