

Product Brochure For C0998

Vertical Toggle Clamp - MP-10247

450kg Capacity



Ex GST
\$40.00

Inc GST
\$46.00

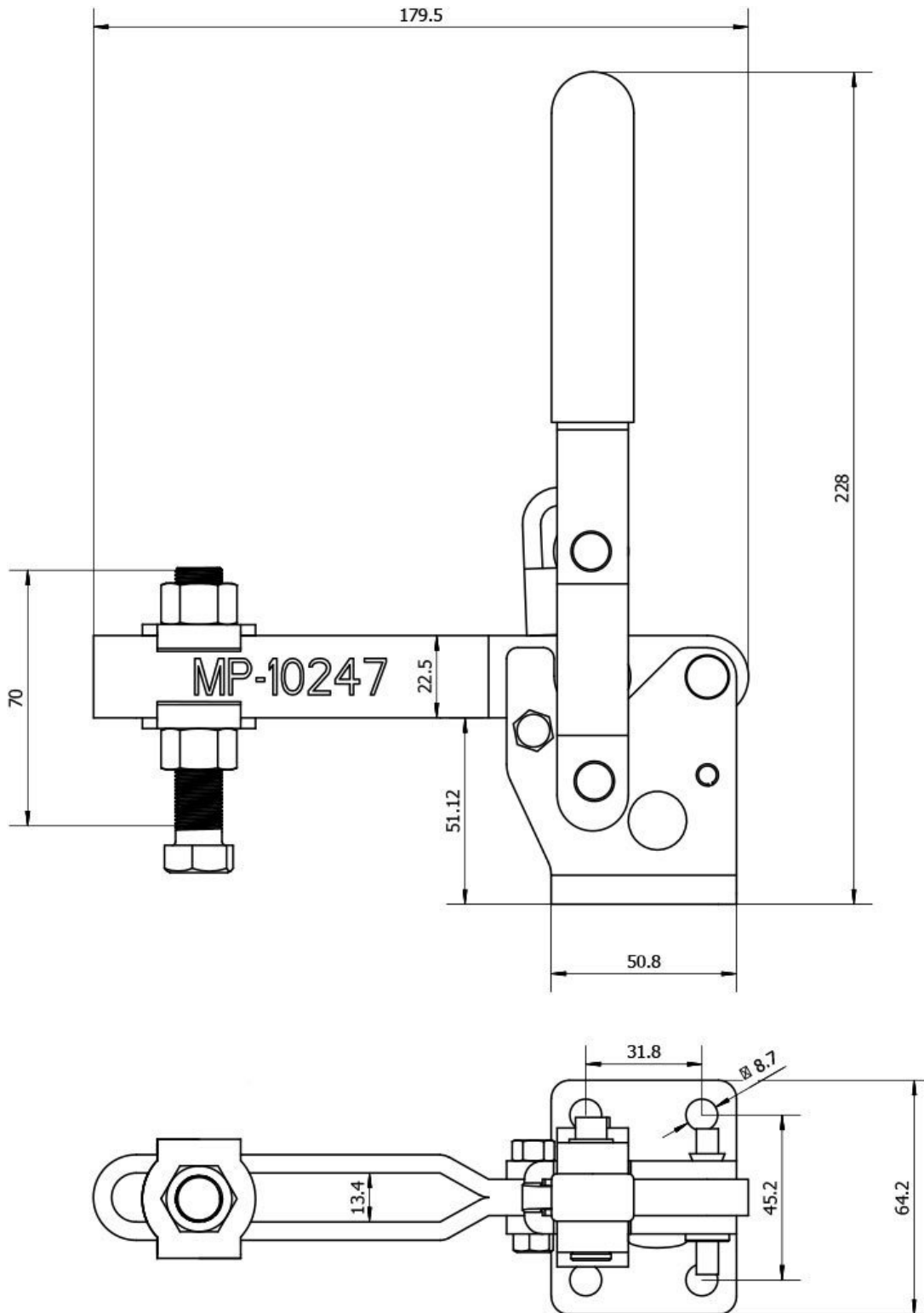
ORDER CODE:	C0998
MODEL:	MP-10247
Type:	Vertical Toggle Clamp
Clamping Capacity:	
Locking Handle - Pivot Movement:	70°
Clamp Bar - Pivot Movement:	135°
Plunger Travel (mm):	~
Throat Depth (mm):	~
Opening (mm):	~
Size:	~
Quantity Per Pack (No.):	1
Clamping Force (kg):	450kg
Over all Length (mm):	~
Nett Weight (kg):	1.25



Features

- MP-10247 - Vertical Toggle Clamp
- Holding capacity: 450kg
- Handle moves: 70°
- Bar moves: 135°
- Weight: 1.25kg

Product Brochure For C0998



Product Brochure For C0998

Specific Features



Open

Recommended Accessories

C1001
Vertical Toggle Clamp

C100
Vertical Toggle Clamp

C0999
Vertical Toggle Clamp

C1003
Horizontal Toggle Clamp



C1005
Horizontal Toggle Clamp

C1006
Horizontal Toggle Clamp

C1008
Straight Line Toggle Clamp

C1011
Straight Line with Threaded Collar Toggle Clamp



Product Brochure For C0998

C1009

Straight Line Toggle Clamp

C1010

Straight Line Toggle Clamp

