

Product Brochure For A422

2 Drawer - Industrial Under Bench Tooling Cabinet - HC-2

565mm Wide x 280mm High
40kg per Drawer

Ex GST
\$244.00

Inc GST
\$280.60



| | |
|-----------------------------------|-----------------|
| ORDER CODE: | A422 |
| MODEL: | HC-2 |
| Number of Drawers (No.): | 2 |
| Drawer Load Capacity (kg): | 40 |
| Maximum Total Load Capacity (kg): | ~ |
| Includes Backing Panel: | ~ |
| Dimensions (W x D x H) (mm): | 565 x 580 x 280 |
| Nett Weight (kg): | 30 |



Description

The HC-2 cabinet is designed mount under the IWB-40 work bench by using the mounting bracket supplied or it can be just screwed to your existing work bench

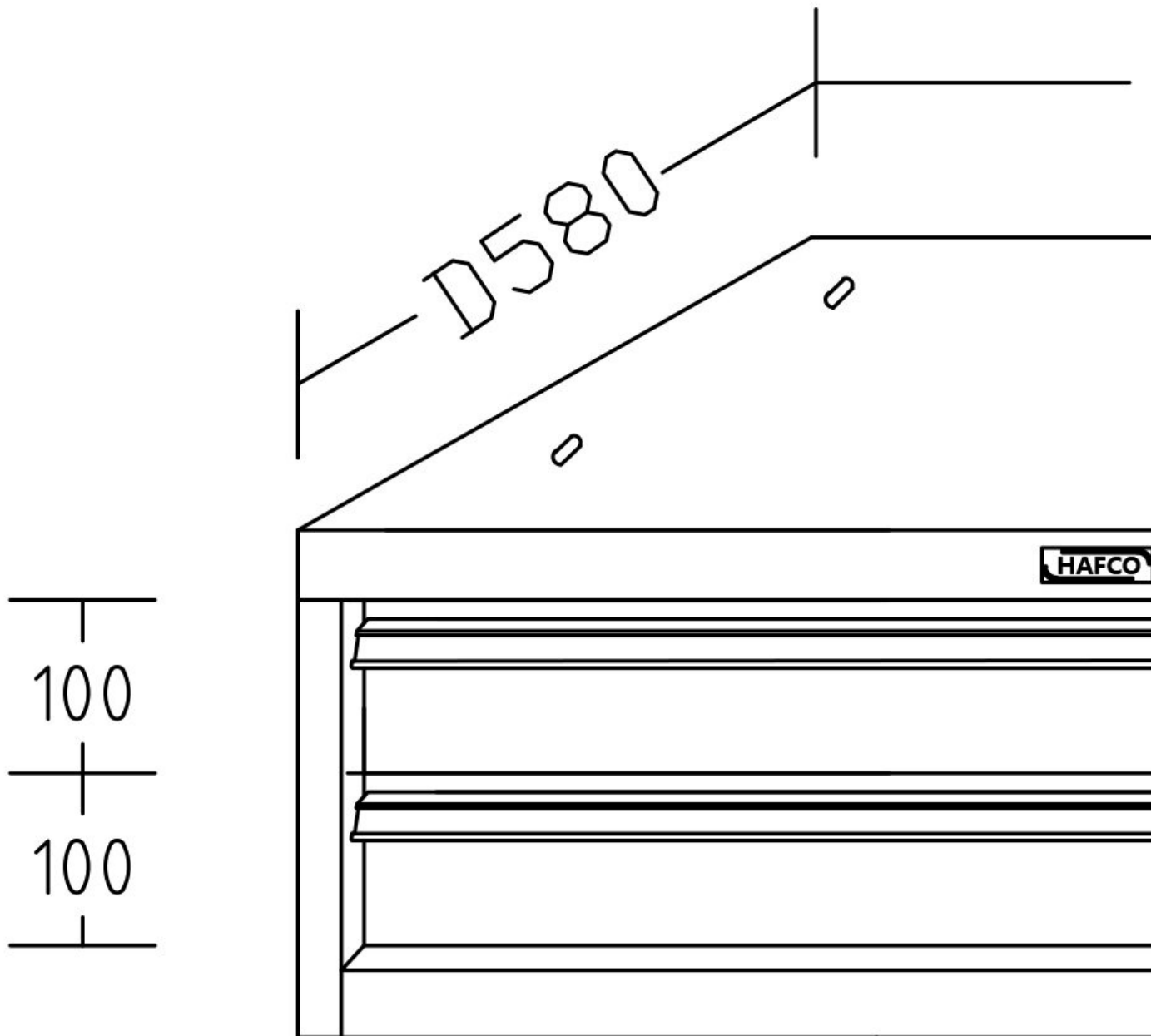
Features

- Ideal for garages or workshops
- Heavy duty full extension sliding ball bearing drawers runners with 97% drawer access
- Key lockable drawers with a load capacity of 40kg each

Includes

- Drawer 1 - 100mm high, load capacity of 40kg and includes steel dividers
- Drawer 2 - 100mm high, load capacity of 40kg and includes steel dividers

Product Brochure For A422



Product Brochure For A422

Specific Features



Front View



Drawers With Steel Dividers



Ball Bearing Slides



Connecting Rails to Suit A420 Work Bench



Close Up Shown Mounted Under Work Bench



Shown Mounted Under Workbench

Recommended Accessories

T786
Steel Divider

T786B
Slotted Rail

A401
Mobile Work Bench

A415
Industrial Work Bench



Product Brochure For A422

A420
Industrial Work Bench

A421
Industrial Work Bench

