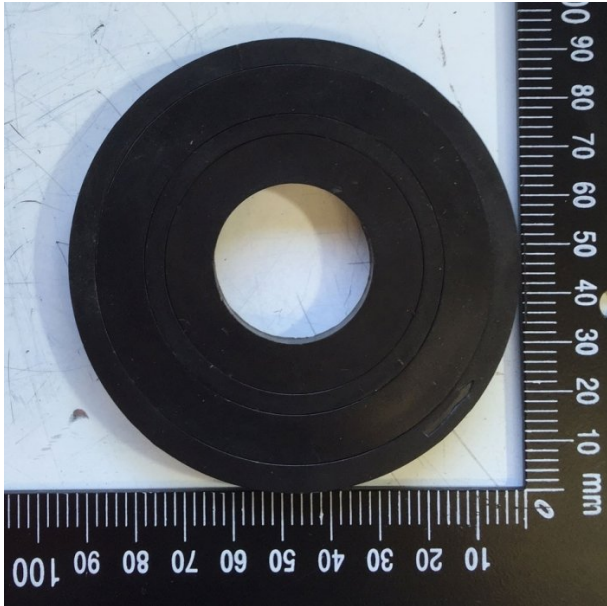


Product Brochure For 2WN0019

**TABLE INSERT SET - #19**

Suits: HF-50

Please Call



**Specific Features**



Image 2

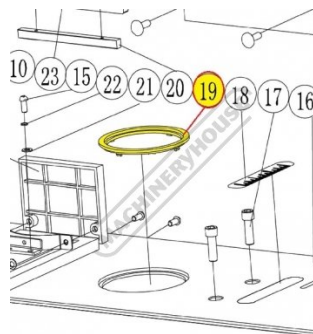


Image 3