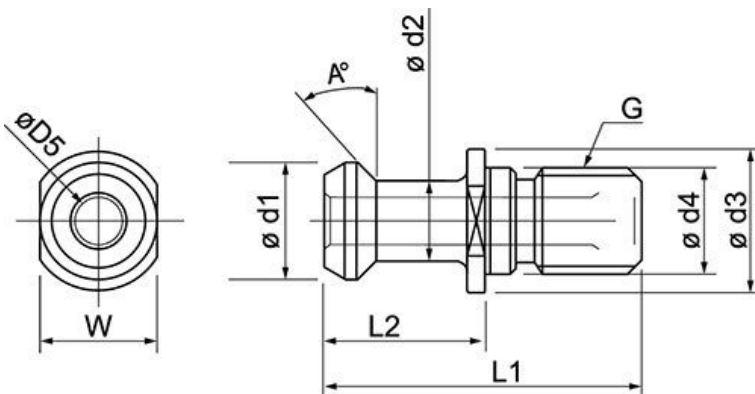


Order Code: T445
MAS P50T 45° Type 1 - Pull Stud
BT-50

**ex GST****inc GST****\$36.00****\$41.40**

ORDER CODE	T445
Type	BT50
A (deg)	45°
G (mm)	M24
d1 (mm)	23.0
d2 (mm)	17.0
d3 (mm)	38.0
d4 (mm)	25.0
D5 (mm)	8.0
L1 (mm)	85.00
L2 (mm)	45.50
W (mm)	30.0



Description

Precision ground
 Through Coolant

Features

- Through coolant with M24 thread
- MAS403BT50 Standard



Auckland: (09) 2717 234

info@machineryhouse.co.nz
www.machineryhouse.co.nz
